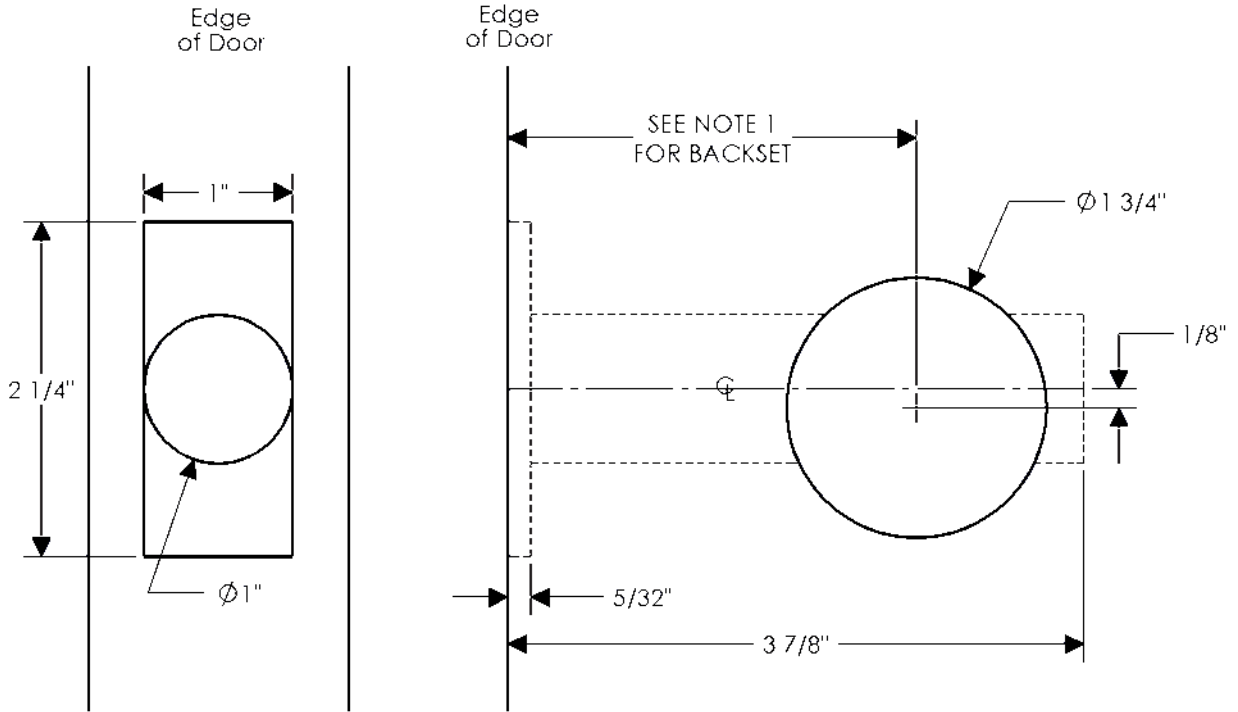


## Directory

Function	Lock Type	Backsets	Interior/Exterior	Page
Passage	Spring Latch	2 3/8 or 2 3/4	Interior/Exterior	1
Passage	Mortise Lock	2 1/2 or 2 3/4	Interior/Exterior	2
Privacy	Spring Latch	2 3/8 or 2 3/4	Interior/Exterior	3
Privacy	Spring Latch/Mortise Bolt	2 3/8 or 2 3/4	Interior/Exterior	4
Privacy	Mortise Lock	2 1/2 or 2 3/4	Interior/Exterior	5
Patio	Dead Bolt	2 3/8 or 2 3/4	Interior	6
Patio	Spring Latch/Dead Bolt	2 3/8 or 2 3/4	Interior	7
Patio	Spring Latch/Dead Bolt	2 3/8 or 2 3/4	Exterior	8
Patio	Mortise Lock	2 1/2 or 2 3/4	Interior	9
Patio	Mortise Lock	2 1/2 or 2 3/4	Exterior	10
Entry	Dead Bolt	2 3/8 or 2 3/4	Interior/Exterior	11
Entry	Spring Latch/Dead Bolt	2 3/8 or 2 3/4	Interior/Exterior	12
Entry	Mortise Lock	2 1/2 or 2 3/4	Interior	13
Entry	Mortise Lock	2 1/2 or 2 3/4	Exterior	14
Entry	Mortise Lock/Grip to Lever	2 1/2 or 2 3/4	Interior	15
Entry	Mortise Lock/Grip to Lever	2 1/2 or 2 3/4	Exterior	16
Entry	Mortise Lock/Grip to Grip	2 1/2 or 2 3/4	Interior	17
Entry	Mortise Lock/Grip to Grip	2 1/2 or 2 3/4	Exterior	18
Strike	T-Strike			19
Strike	Privacy Spring Latch/Mortise Bolt			20
Strike	Dead Bolt			21
Strike	Patio and Entry Spring Latch/Dead Bolt			22
Strike	Mortise Lock			23



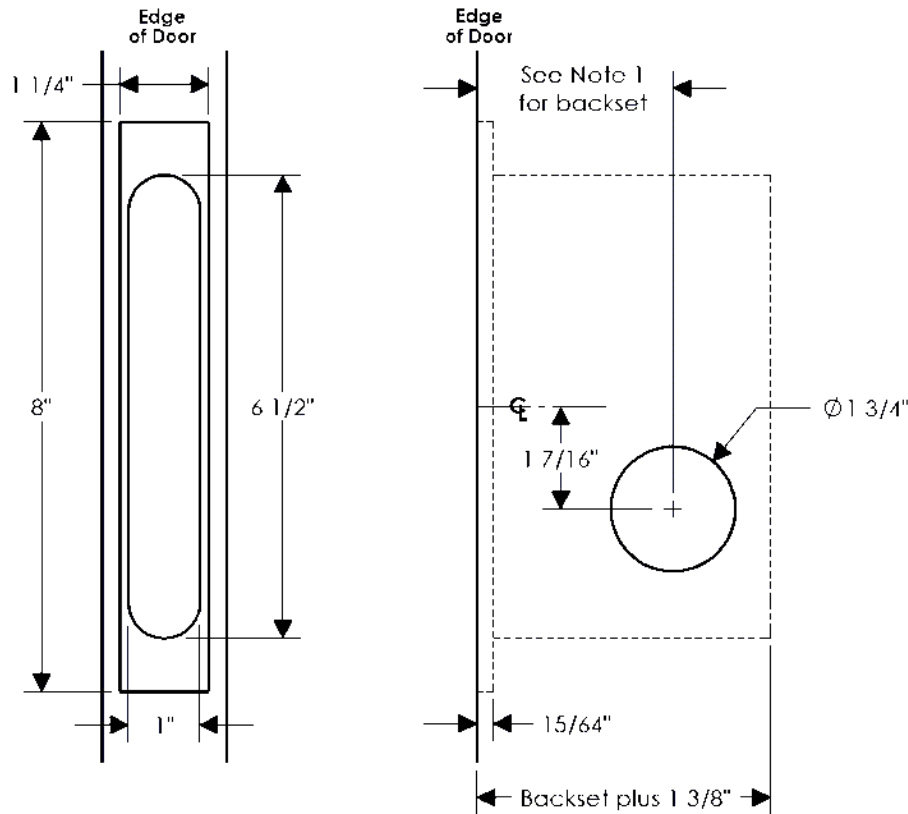
**Passage Spring Latch—Interior/Exterior**



**Notes:**

1. This bore specification is applicable for 2 3/8" or 2 3/4" backset spring latches.
2. 1 3/4" minimum door thickness.

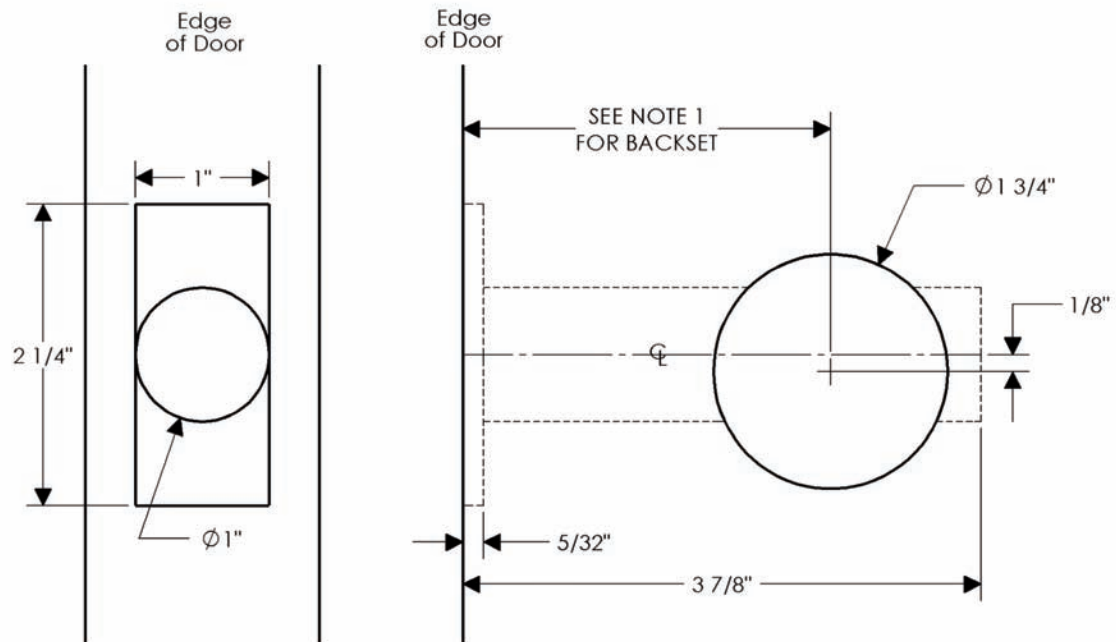
**Passage Mortise Lock—Interior/Exterior**



**Notes:**

1. This bore specification is applicable for 2 1/2" or 2 3/4" backset mortise locks.
2. Standard location of mortise lock is determined by placing the lever or knob 36" above finish floor. However, this may be adjusted for special applications.
3. 1 3/4" minimum door thickness.

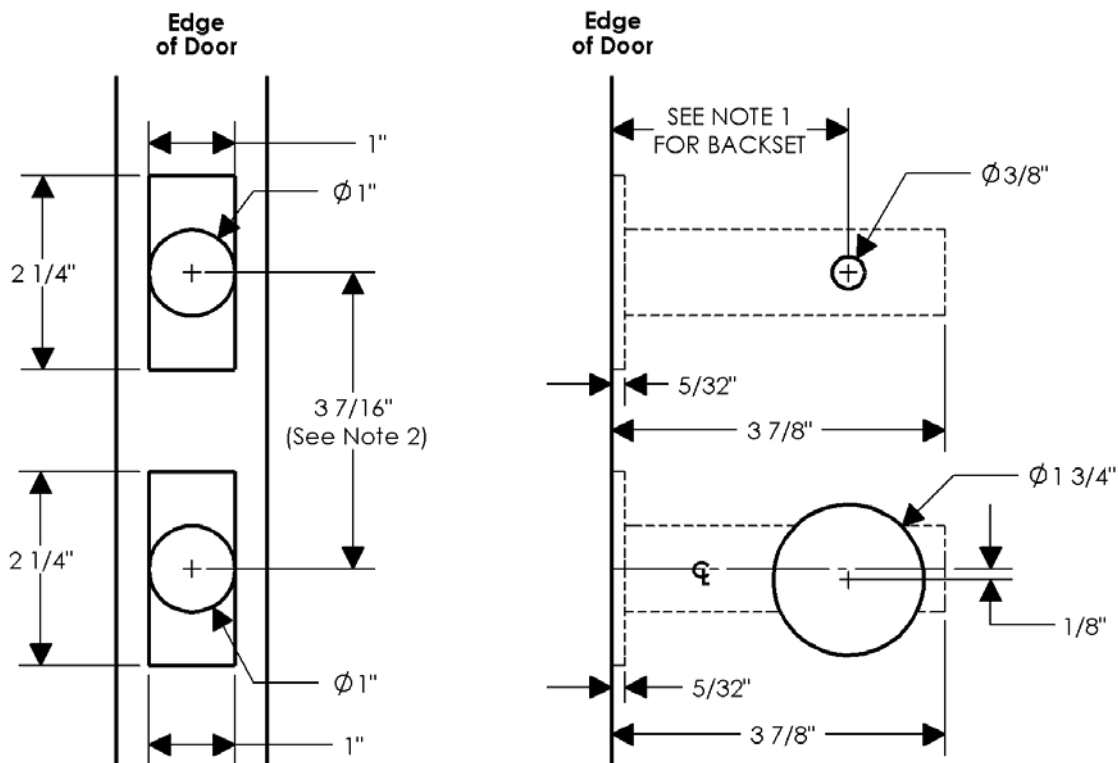
### Privacy Spring Latch—Interior/Exterior



#### Notes:

1. This bore specification is applicable for  $2\frac{3}{8}"$  or  $2\frac{3}{4}"$  backset privacy spring latches.
2.  $1\frac{3}{4}"$  minimum door thickness.

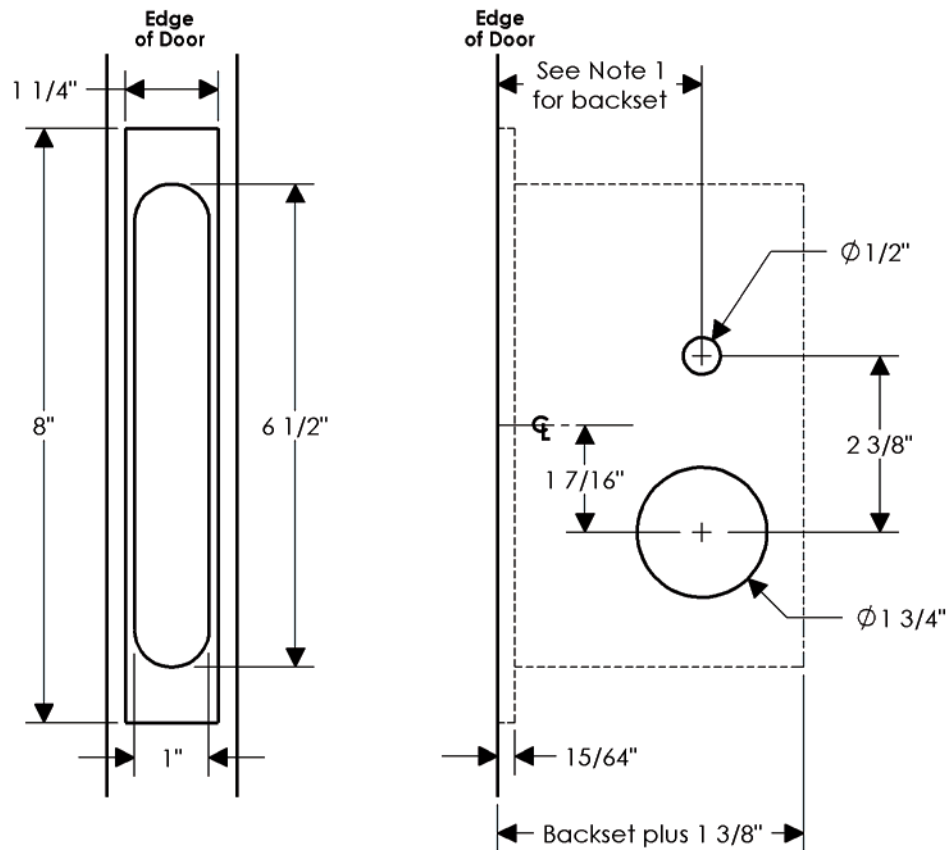
**Privacy Spring Latch/Mortise Bolt—Interior/Exterior**



**Notes:**

1. This bore specification is applicable for 2 3/8" or 2 3/4" backset spring latches/mortise bolts.
2. This center-to-center dimension may change with escutcheon selection.
3. 1 3/4" minimum door thickness.

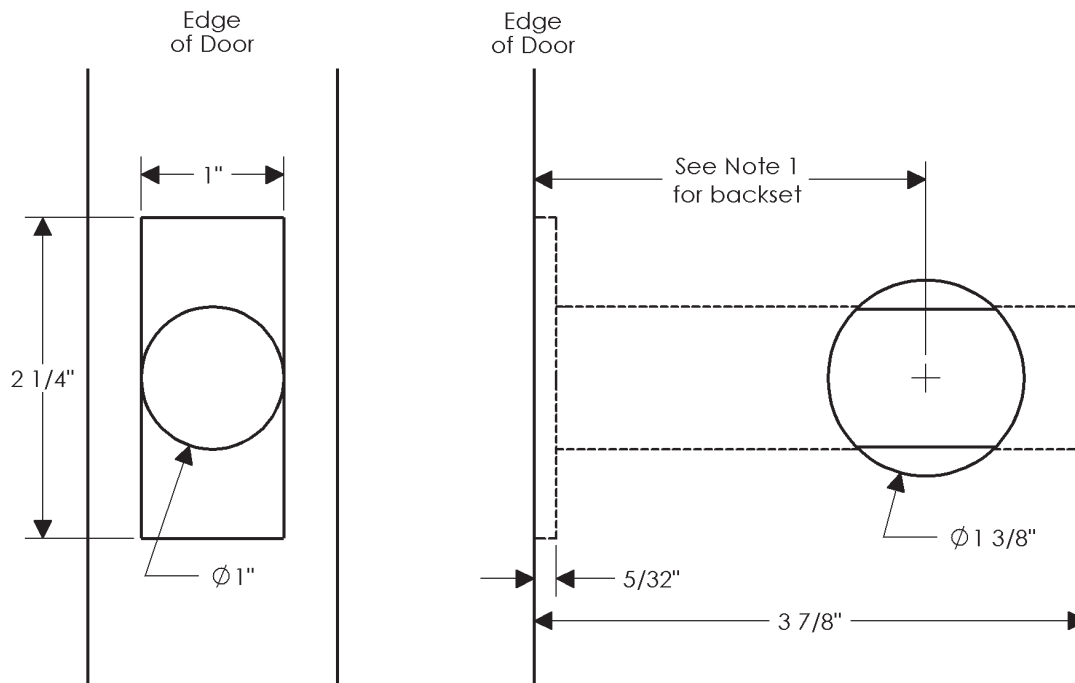
### Privacy Mortise Lock—Interior/Exterior



#### Notes:

1. This bore specification is applicable for 2 1/2" or 2 3/4" backset mortise locks.
2. Standard location of mortise lock is determined by placing the lever or knob 36" above finish floor. However, this may be adjusted for special applications.
3. 1 3/4" minimum door thickness.

**Patio Dead Bolt—Interior Only**

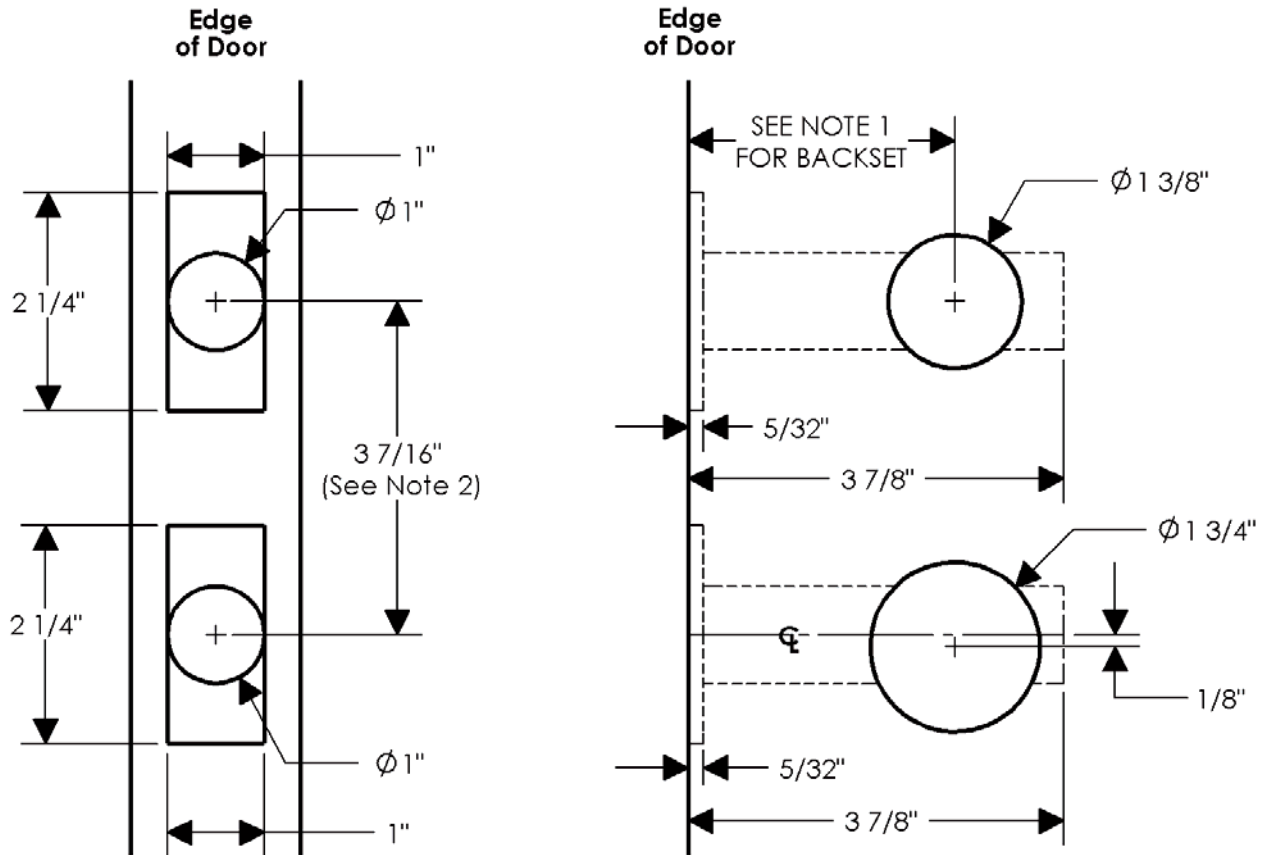


**Notes:**

1. This bore specification is applicable for 2 3/8" or 2 3/4" backset dead bolts.
2. 1 3/4" minimum door thickness.



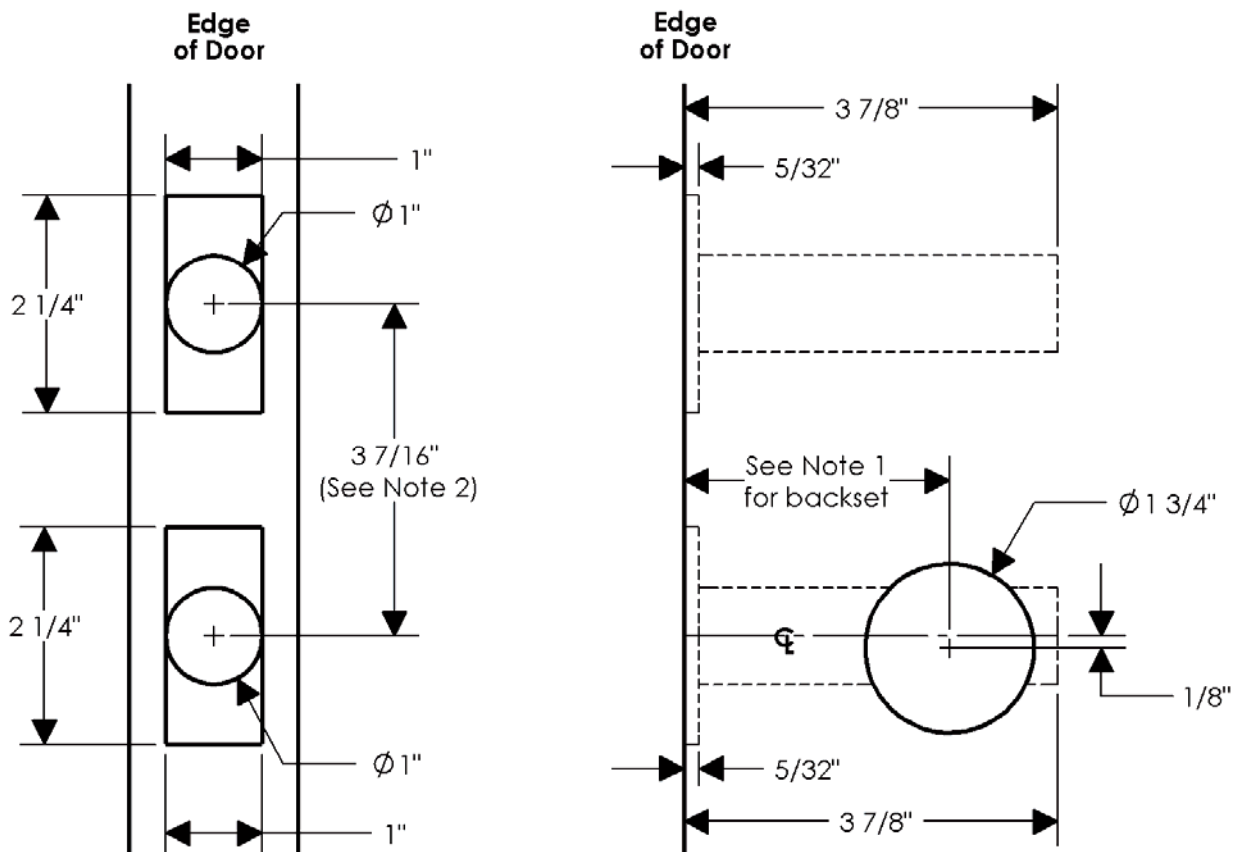
**Patio Spring Latch/Dead Bolt—Interior Only**



**Notes:**

1. This bore specification is applicable for 2 3/8" or 2 3/4" backset spring latches/dead bolts.
2. This center-to-center dimension may change with escutcheon selection.
3. 1 3/4" minimum door thickness.

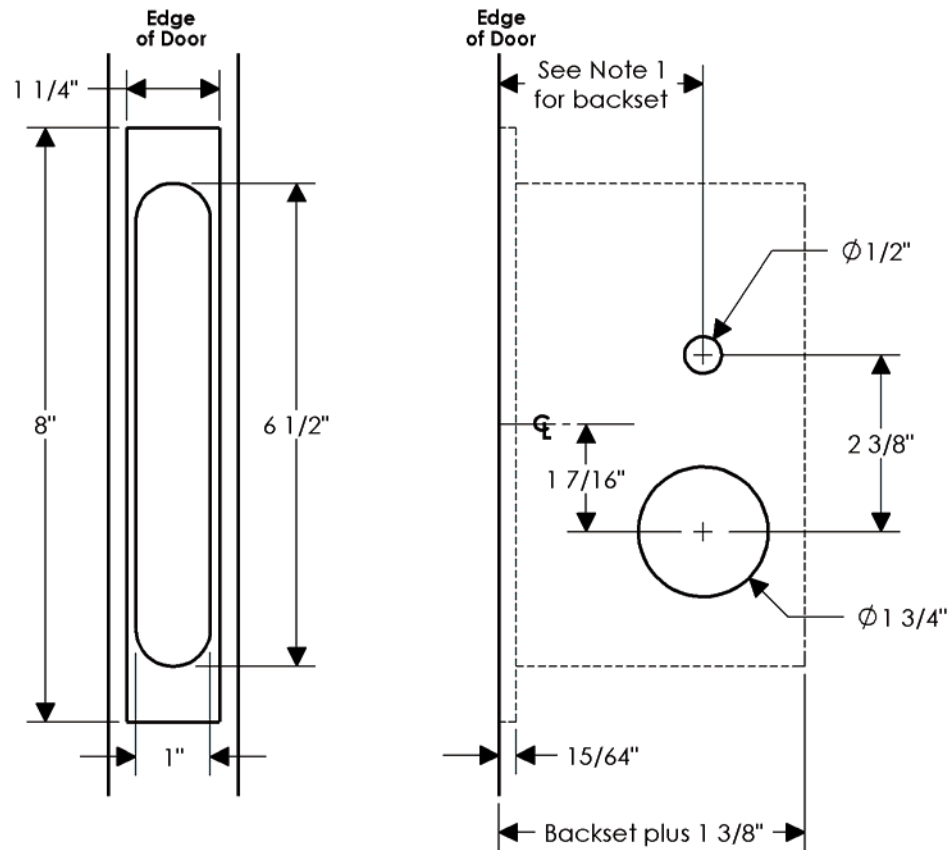
Patio Spring Latch/Dead Bolt—Exterior



Notes:

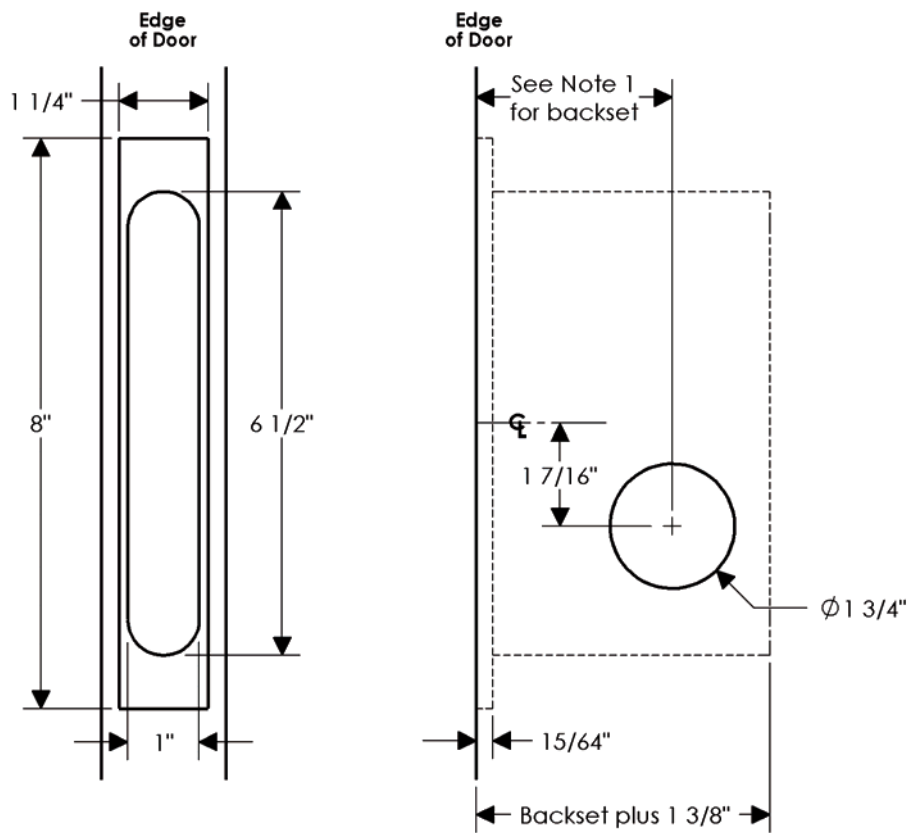
1. This bore specification is applicable for 2 3/8" or 2 3/4" backset spring latches/dead bolts.
2. This center-to-center dimension may change with escutcheon selection.
3. 1 3/4" minimum door thickness.

## Patio Mortise Lock—Interior

**Notes:**

1. This bore specification is applicable for 2 1/2" or 2 3/4" backset mortise locks.
2. Standard location of mortise lock is determined by placing the lever or knob 36" above finish floor. However, this may be adjusted for special applications.
3. 1 3/4" minimum door thickness.

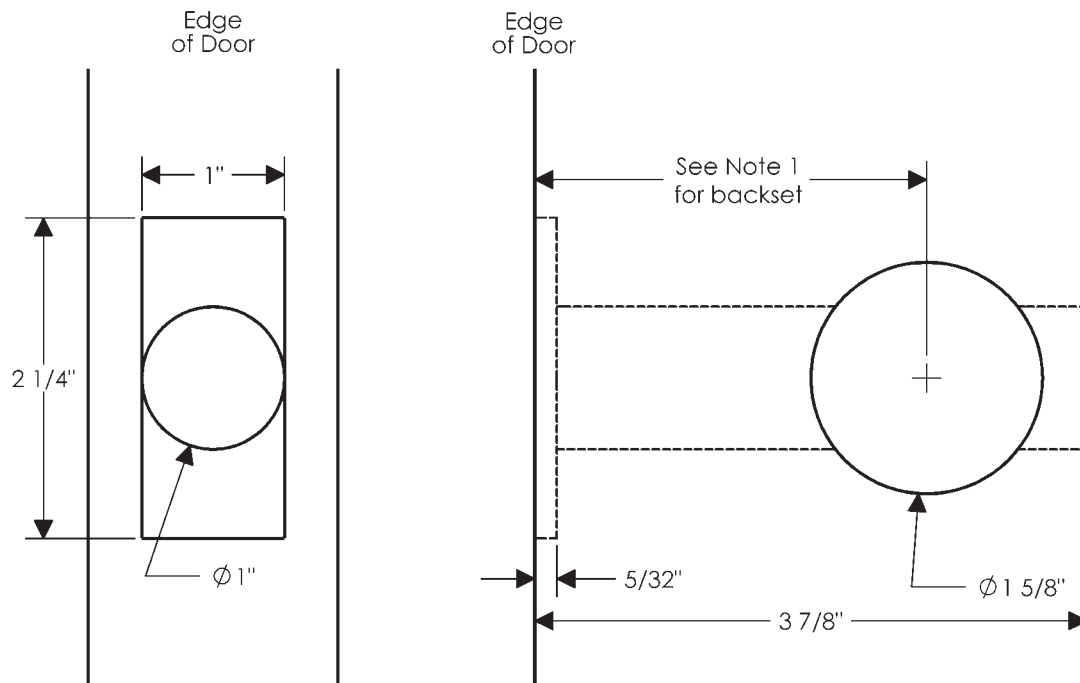
**Patio Mortise Lock—Exterior**



**Notes:**

1. This bore specification is applicable for 2 1/2" or 2 3/4" backset mortise locks.
2. Standard location of mortise lock is determined by placing the lever or knob 36" above finish floor. However, this may be adjusted for special applications.
3. 1 3/4" minimum door thickness.

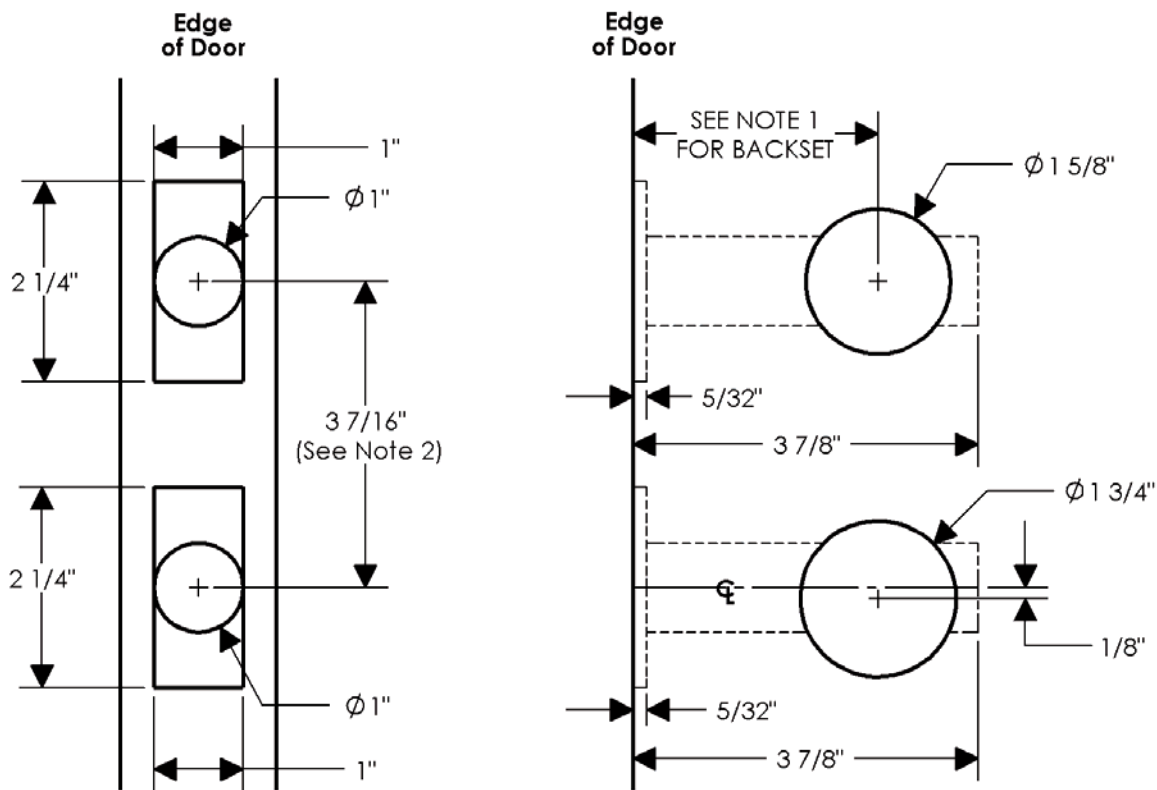
## Entry Dead Bolt—Interior/Exterior



### Notes:

1. This bore specification is applicable for 2 3/8" or 2 3/4" backset dead bolts.
2. 1 3/4" minimum door thickness.

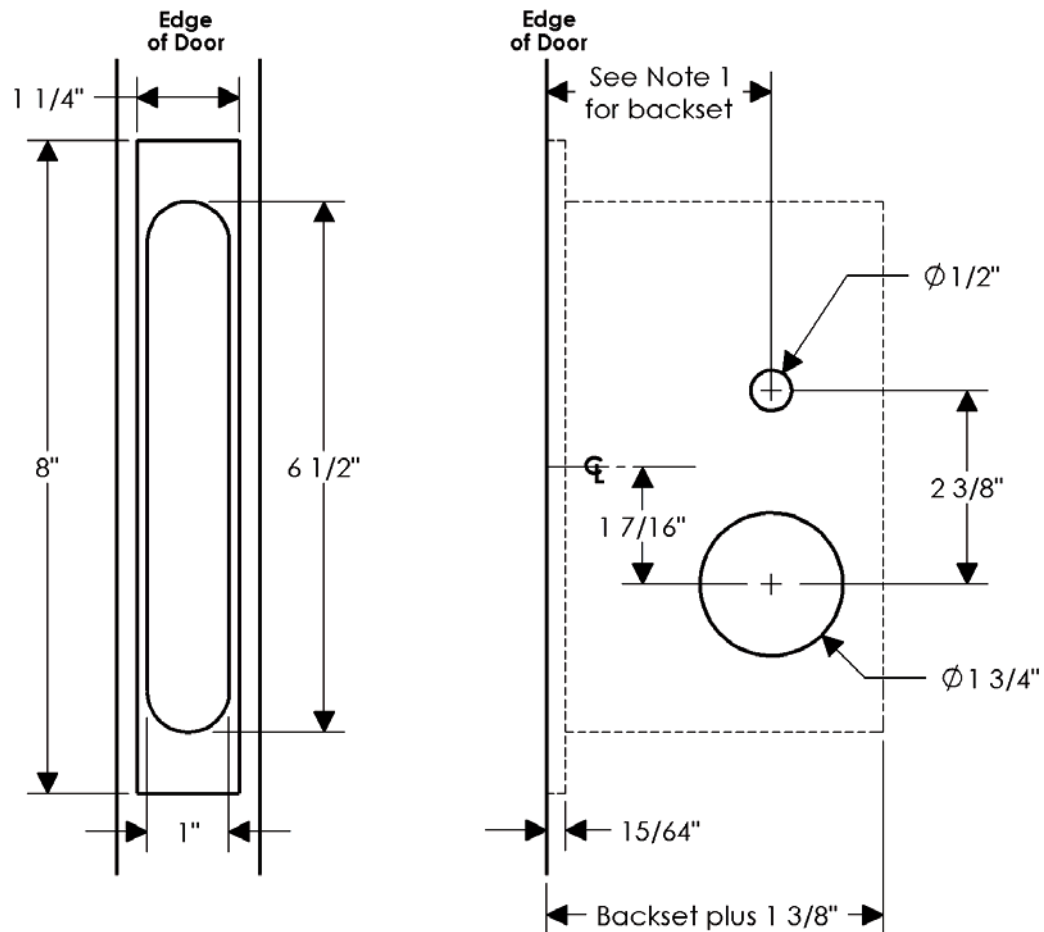
**Entry Spring Latch/Dead Bolt—Interior/Exterior**



**Notes:**

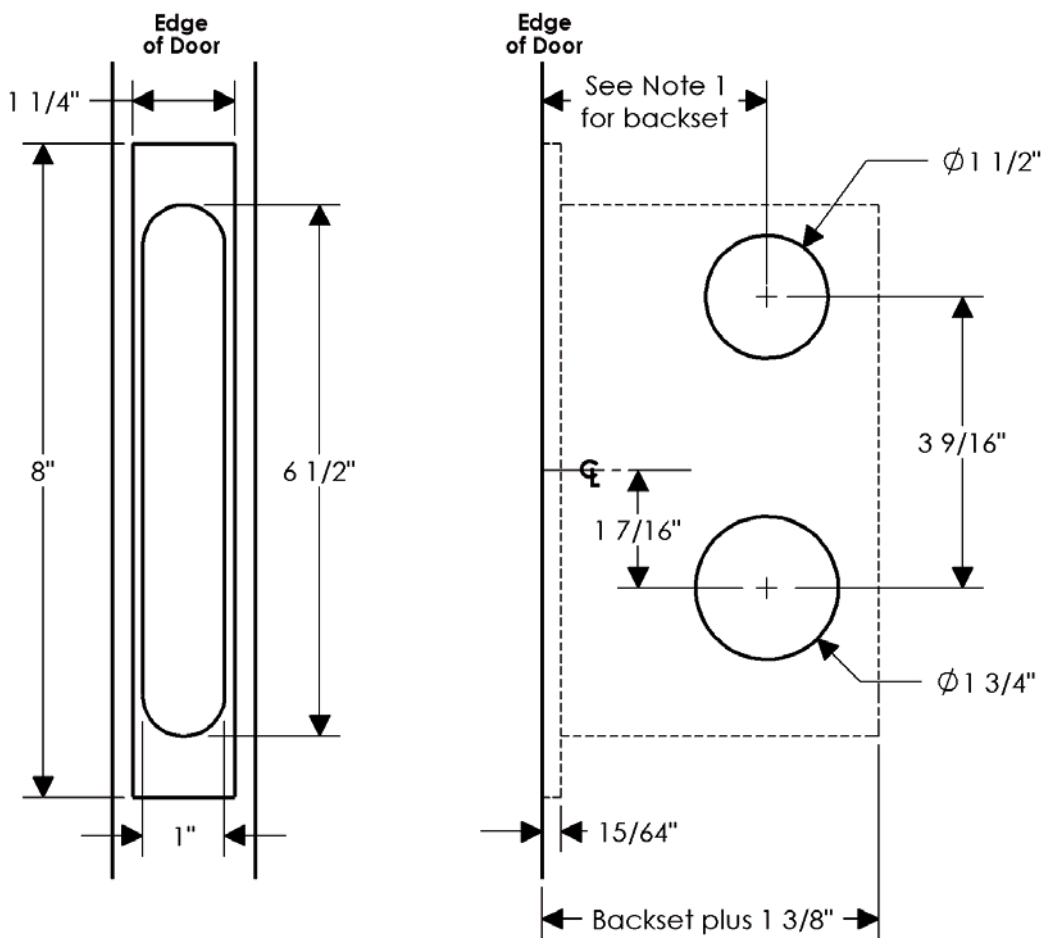
1. This bore specification is applicable for 2 3/8" or 2 3/4" backset spring latches/dead bolts.
2. This center-to-center dimension may change with escutcheon selection.
3. 1 3/4" minimum door thickness.

## Entry Mortise Lock—Interior

**Notes:**

1. This bore specification is applicable for 2 1/2" or 2 3/4" backset mortise locks.
2. Standard location of mortise lock is determined by placing the lever or knob 36" above finish floor. However, this may be adjusted for special applications.
3. 1 3/4" minimum door thickness.

### Entry Mortise Lock—Exterior

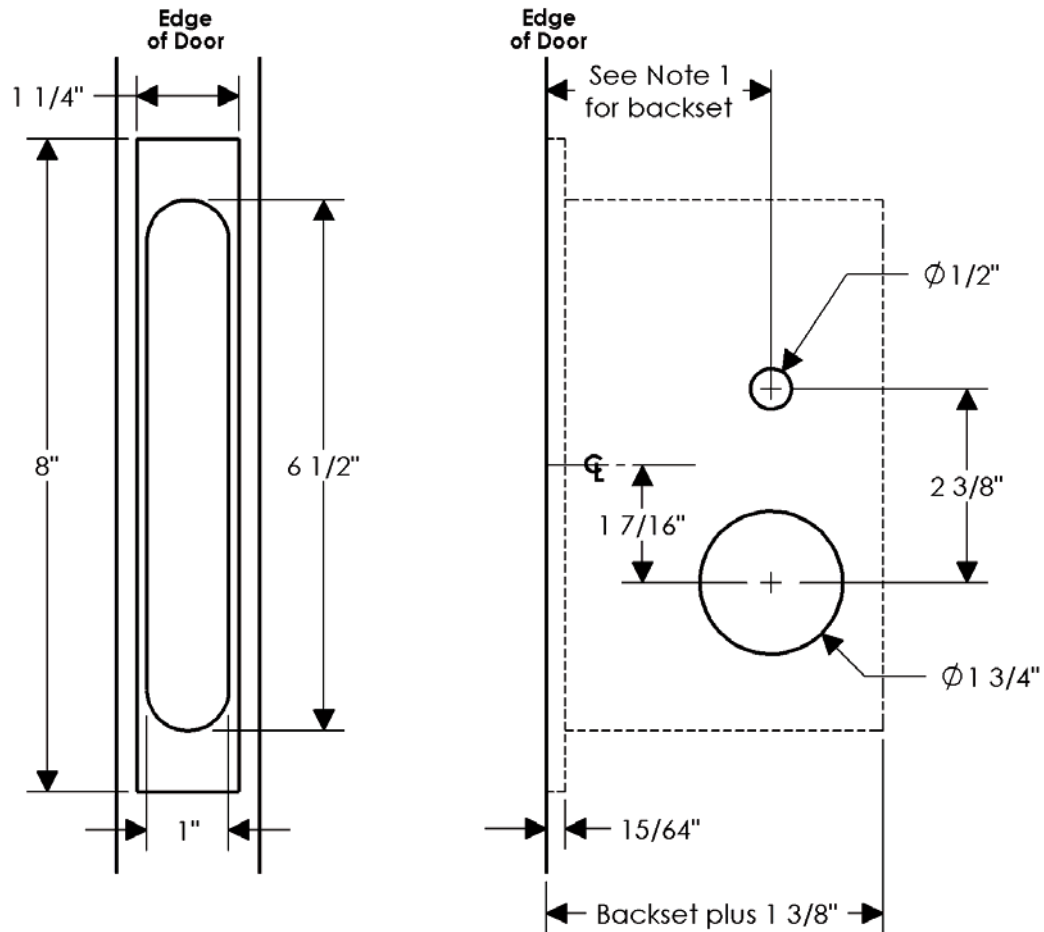


**Notes:**

1. This bore specification is applicable for 2 1/2" or 2 3/4" backset mortise locks.
2. Standard location of mortise lock is determined by placing the lever or knob 36" above finish floor. However, this may be adjusted for special applications.
3. 1 3/4" minimum door thickness.

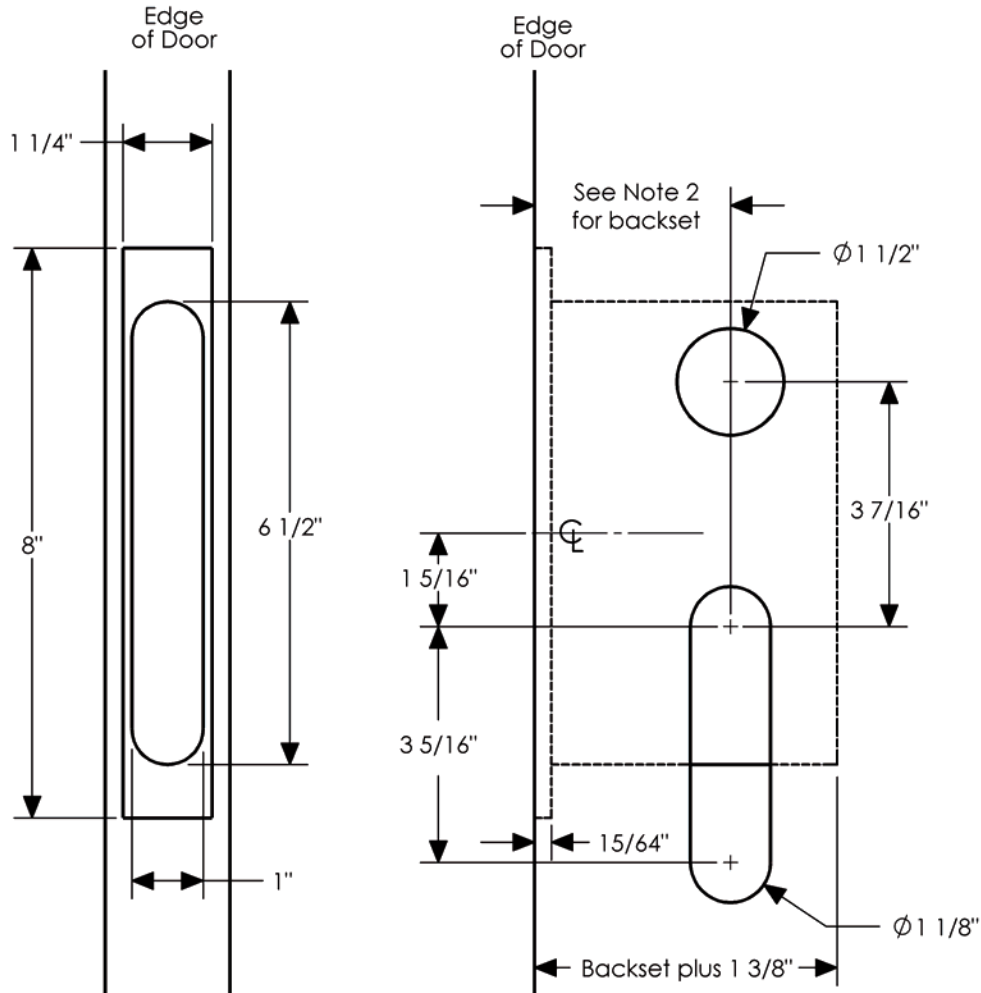


## Entry Grip to Lever Mortise Lock—Interior

**Notes:**

1. This bore specification is applicable for 2 1/2" or 2 3/4" backset mortise locks.
2. Standard location of mortise lock is determined by placing the lever or knob 36" above finish floor. However, this may be adjusted for special applications.
3. 1 3/4" minimum door thickness.

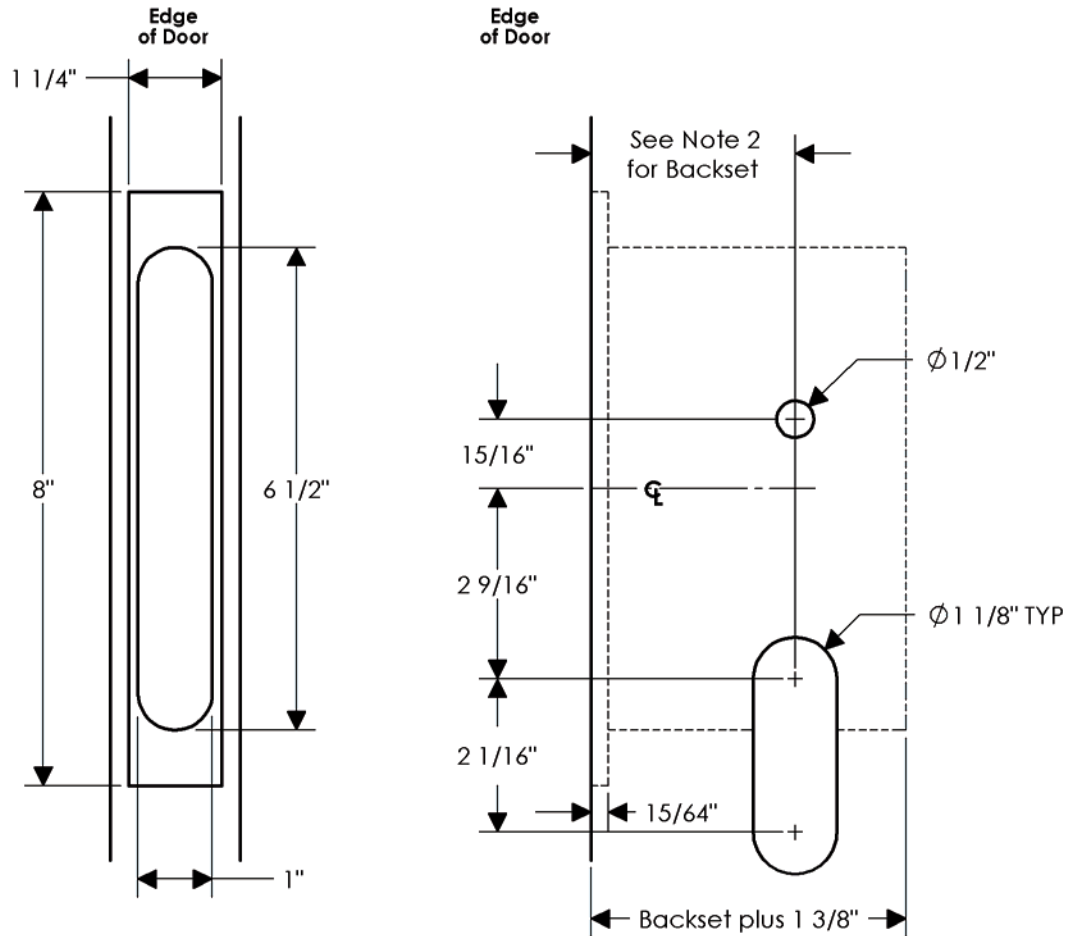
### Entry Grip to Lever Mortise Lock—Exterior



**Notes:**

1. Standard location of mortise lock is determined by placing the lever or knob 36" above finish floor. However, this may be adjusted for special applications.
2. This bore specification is applicable for 2 1/2" or 2 3/4" backset mortise locks.
3. 1 3/4" minimum door thickness.

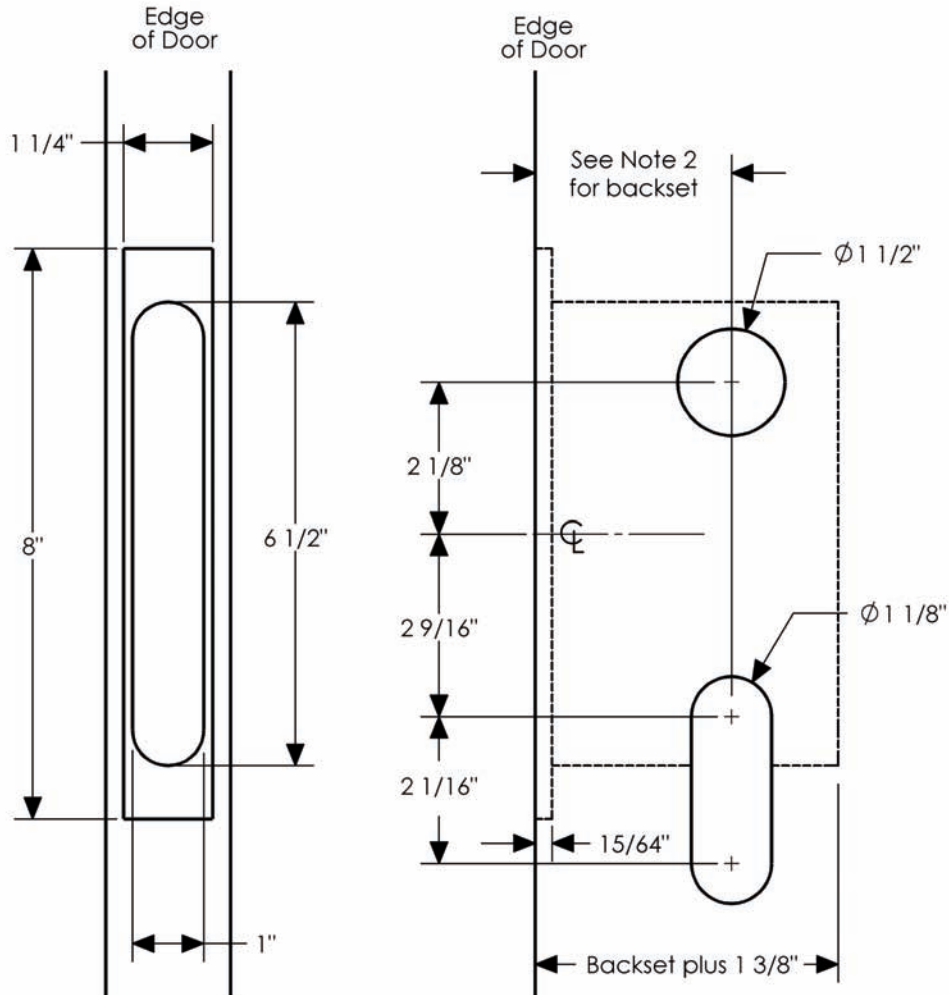
**Entry Grip to Grip Mortise Lock—Interior**



**Notes:**

1. Standard location of mortise lock is determined by placing the lever or knob 36" above finish floor. However, this may be adjusted for special applications.
2. This bore specification is applicable for 2 1/2" or 2 3/4" backset mortise locks.
3. 1 3/4" minimum door thickness.

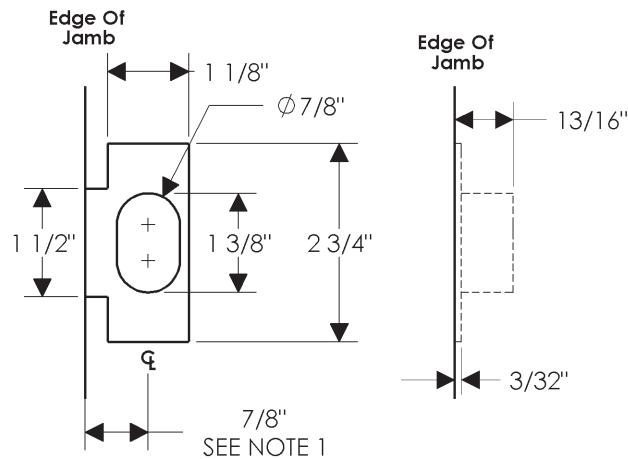
### Entry Grip to Grip Mortise Lock—Exterior



**Notes:**

1. Standard location of mortise lock is determined by placing the lever or knob 36" above finish floor. However, this may be adjusted for special applications.
2. This bore specification is applicable for 2 1/2" or 2 3/4" backset mortise locks.
3. 1 3/4" minimum door thickness.

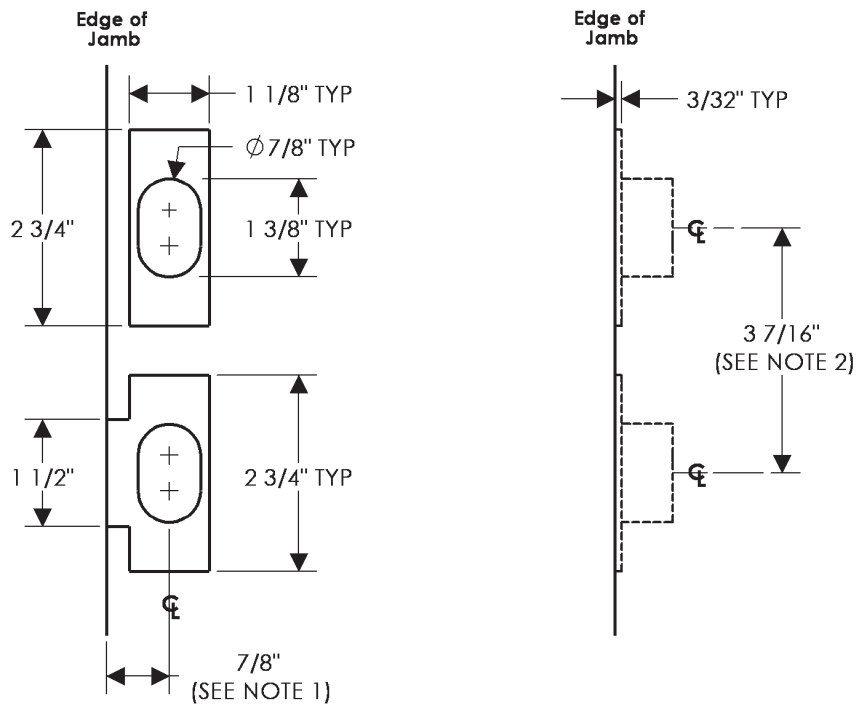
## Strike, T-Strike



### Notes:

1. This dimension is 1/2 of the door thickness, e.g.,  $1\frac{3}{4}"$  divided by 2 =  $7/8"$ . This dimension will have to be adjusted for different door thicknesses and unusual jamb or door conditions.
2.  $1\frac{3}{4}"$  minimum door thickness.

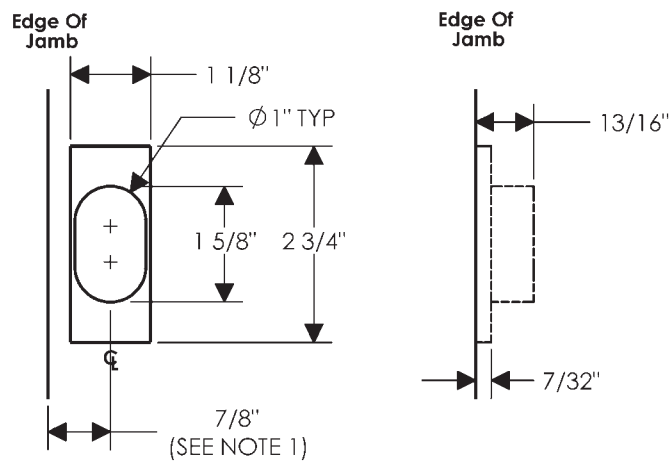
### Strike, Privacy Spring Latch/Mortise Bolt



**Notes:**

1. This dimension is 1/2 of the door thickness, e.g., 1 3/4" divided by 2 = 7/8". This dimension will have to be adjusted for different door thicknesses and unusual jamb or door conditions.
2. This center-to-center dimension may be changed with escutcheon selection.
3. 1 3/4" minimum door thickness.

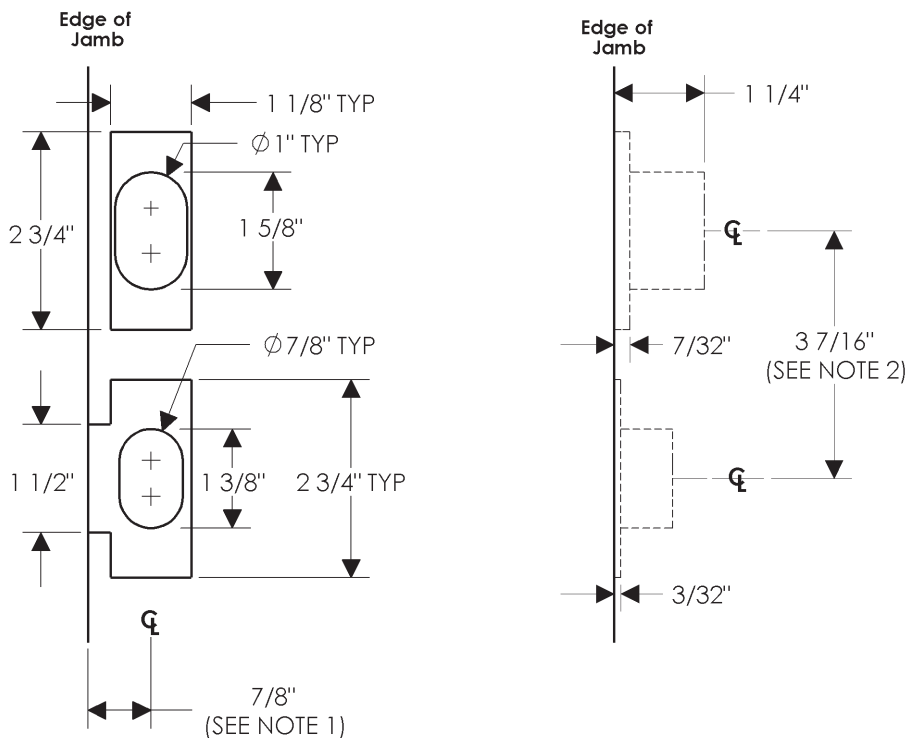
## Strike, Dead Bolt



### Notes:

1. This dimension is 1/2 of the door thickness, e.g., 1 3/4" divided by 2 = 7/8". This dimension will have to be adjusted for different door thicknesses and unusual jamb or door conditions.
2. 1 3/4" minimum door thickness.

### Strike, Patio and Entry Spring Latch/Dead Bolt

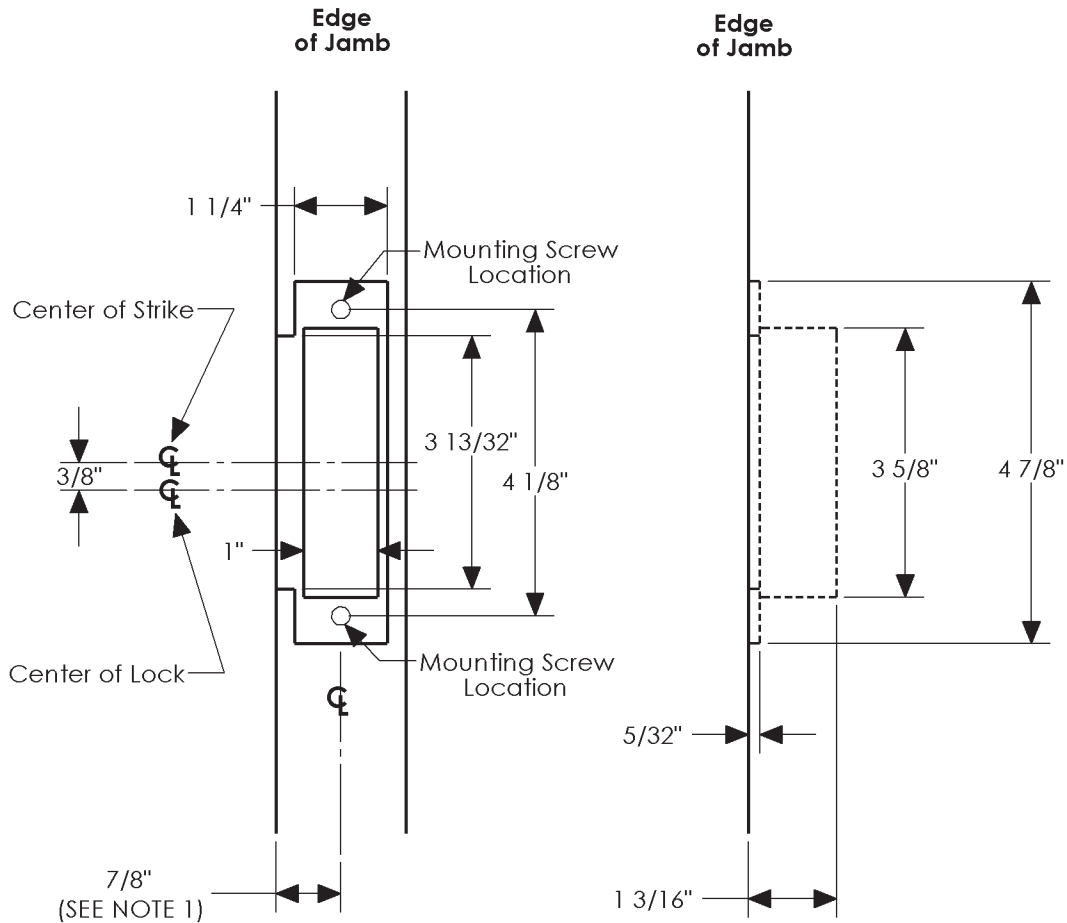


**Notes:**

1. This dimension is 1/2 of the door thickness, e.g.,  $1 \frac{3}{4}''$  divided by 2 =  $7/8''$ . This dimension will have to be adjusted for different door thicknesses and unusual jamb or door conditions.
2. This center-to-center dimension may be changed with escutcheon selection.
3.  $1 \frac{3}{4}''$  minimum door thickness.



### Strike, Mortise Lock



**Notes:**

1. This dimension is 1/2 of door thickness, eg., 1 3/4" divided by 2 = 7/8". This dimension will have to be adjusted for different door thicknesses and unusual jamb or door conditions.
2. 1 3/4" minimum door thickness.

