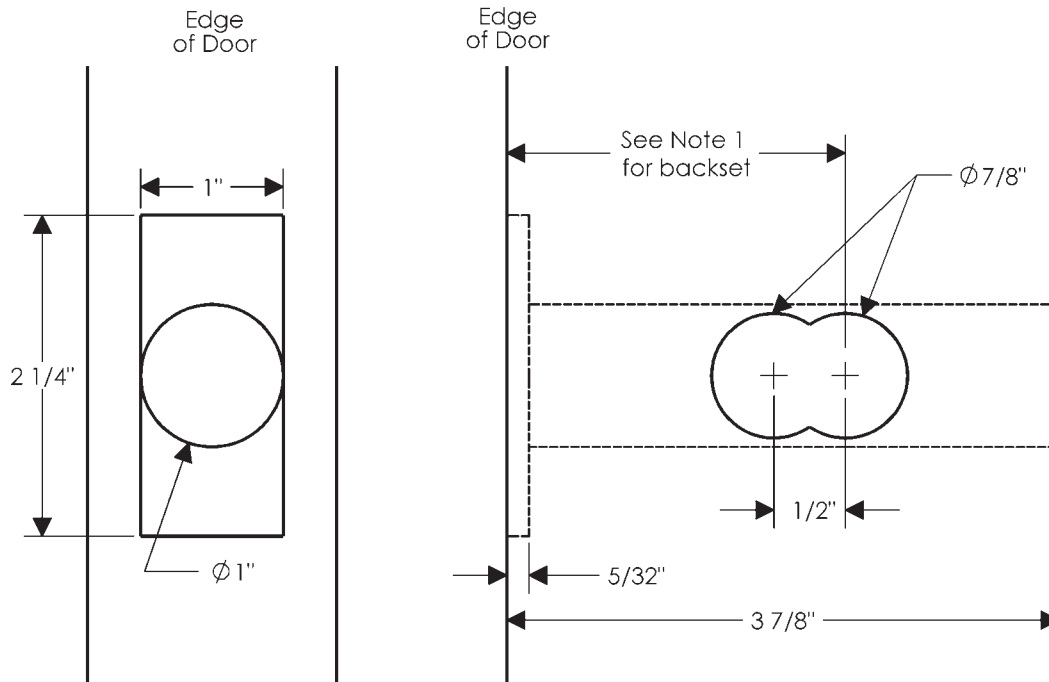


**Privacy Spring Latch for E101, E103, E201, E202, E204, E205, E206, E415,  
E416, E417, E418, E589, E820, E828, E10820, E10871, E30802,  
and E30803 Escutcheons**  
Interior/Exterior



**Notes:**

1. This bore specification is applicable for 2 3/8" or 2 3/4" backset privacy spring latches.
2. This face bore does not work for E10010 or E10015. These escutcheons require a 1 5/8" face bore offset 1/8" down from center of spring latch.