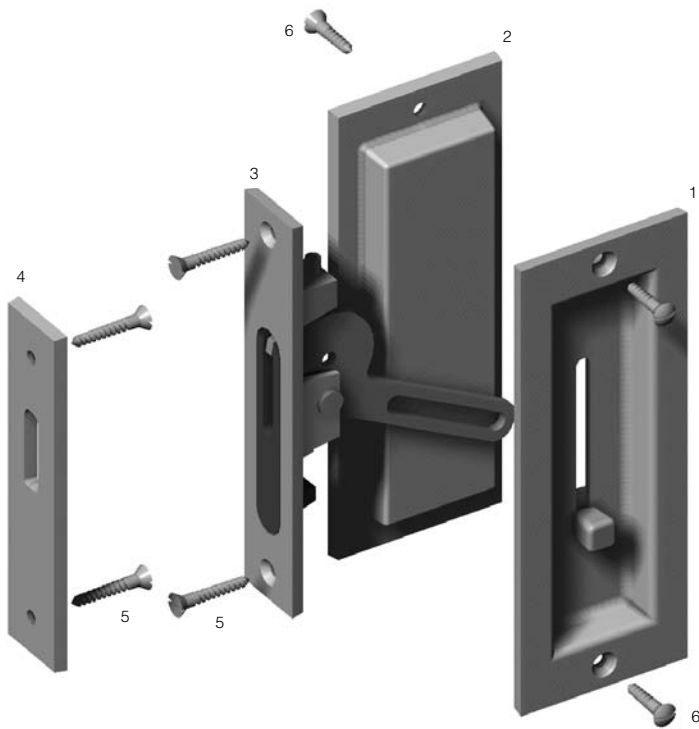
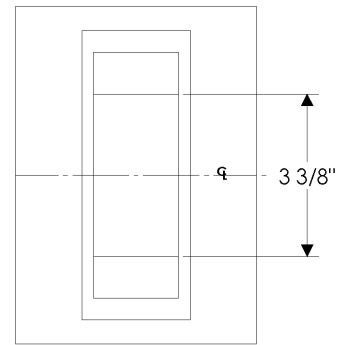
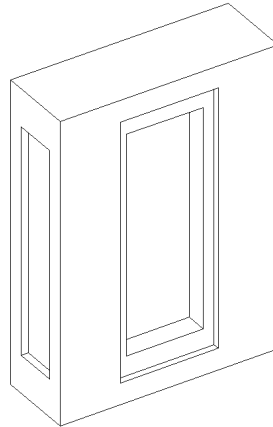
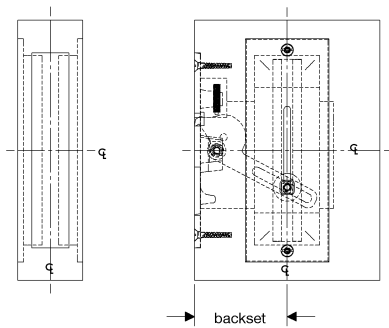
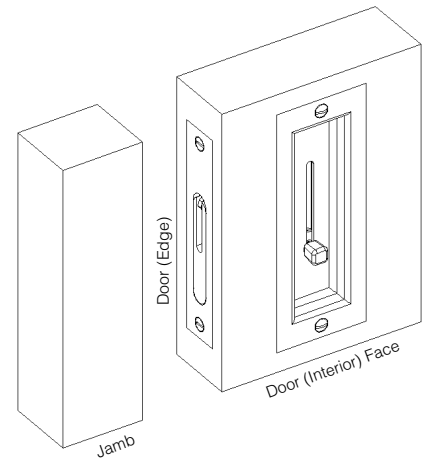


POCKET DOOR LOCK

mounting instructions



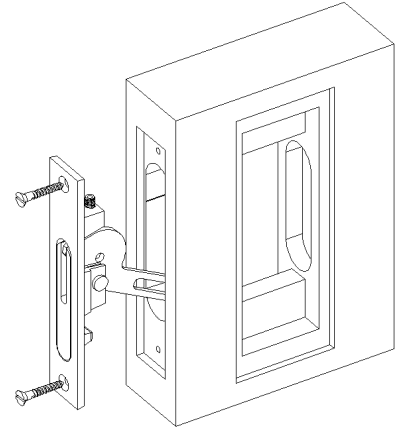
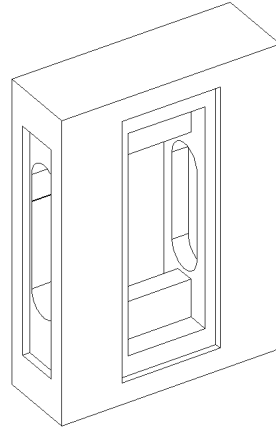
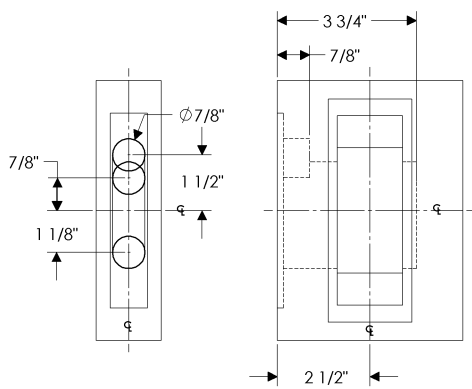
1. Interior Flush Pull Assembly
2. Exterior Flush Pull
3. Door Edge Assembly
4. Jamb Strike
5. #8 x 1" Flat Head Screw (4)
6. #8 x 3/4" Oval Head Screw (4)
(or #6 x 3/4" Oval Head Screw (4)
when installing the FP204 Flush Pull)



1 Establish backset and centerline of Door Edge Assembly face plate. The backset should not exceed 3" or be less than 1 7/8". **Note:** FP204 has a minimum backset of 2 1/2". All horizontal centerlines should line up with each other.

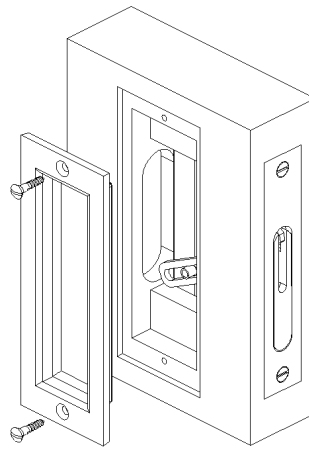
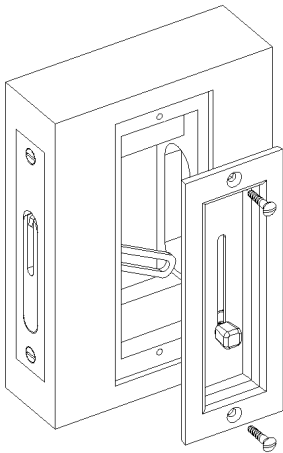
2 Mortise for both flush pulls and Door Edge Assembly face plate so that all faces will be flush with their respective surfaces. **It is critical that the face of the interior flush pull be mounted flush with the face of the door.**

3 Cut slot through entire door. (Slot size: 3 3/8" centered about horizontal center line on door face.)



- 4** Into the door edge, bore three $7/8$ " holes:
 Hole 1) $1\ 1/2$ " up from center line, $7/8$ " deep.
 Hole 2) $7/8$ " up from center line, $3\ 3/4$ " deep.
 Hole 3) $1\ 1/8$ " down from center line, $3\ 3/4$ " deep.
 Cut slots between holes to clear area for Door Edge Assembly.

- 5** Insert **Door Edge Assembly** into door edge and verify that the mechanism will operate freely. Fasten using **#8 Flat Head Screws**.

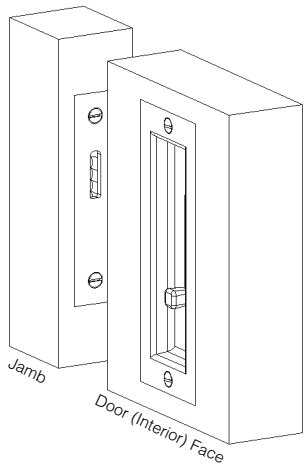


- 6** Mount **Interior Flush Pull Assembly** so that the rod on the back side of the lock inserts into the hollow tail of the Door Edge Assembly. Fasten using **#8 Oval Head Screws**.

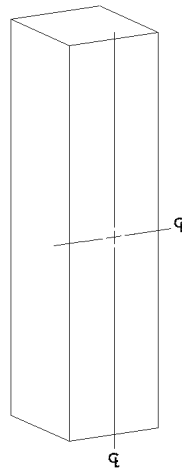
- 7** Mount **Exterior Flush Pull**. Fasten using **#8 Oval Head Screws**.

Note: If door thickness is less than $1\ 3/4$ ", the #8 Oval Head Screws ($3/4$ " length) may have to be clipped to avoid butting the screws from the opposite flush pull.

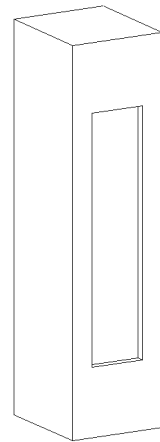
mounting instructions



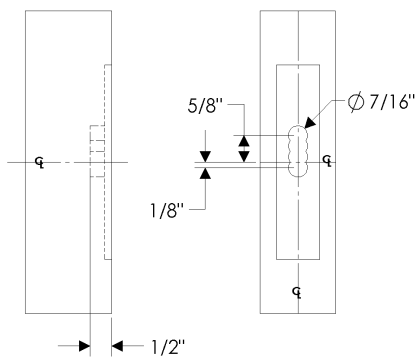
After installing the Door Edge Assembly and flush pulls, prepare to install the Jamb Strike..



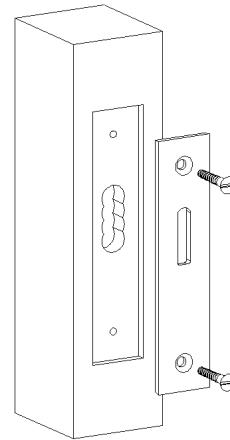
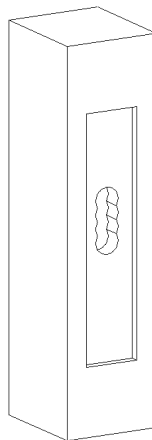
8 Establish horizontal and vertical center lines for Jamb Strike. The center lines must line up with those on the door edge.



9 Mortise for Jamb Strike so that the face plate will be flush with the door jamb surface.



10 Drill four $\phi 7/16$ " holes at $1/4$ " apart starting $1/8$ " below the center line and ending $5/8$ " above the center line. The holes should be at least $1/2$ " deep.



11 Mount **Jamb Strike**. Fasten with **#8 Flat Head Screws** and test function of pocket door lock.